

T5+ Smart Lock

Installation Instructions

T5+ Smart Lock Installation Instructions

To users

Thank you for purchasing our products!

Please read this instruction carefully before use and keep it properly for reference!

Functions and Operations

• Installation Settings

* Installation settings are normally used when installing and debugging, please operate with caution.

After waking up the door lock, press the * plus # key, enter the administrator password (the initial password is 123456) to enter the settings menu, and press the number 3 to enter the installation settings.

Voice prompts: 1. Motor; 2. Rotation time;
3. set close time; 4. Autolock

1. Motor

Set the forward and reverse rotation of the motor to accommodate the needs of opening doors in different directions. After setting, the system unlocks once to confirm the direction of rotation. If it is unlocked when it is set, the orientation is normal.

2. Rotation time;

It should select the reversal time of the instant emergency knob when the diagonal lock tongue pops up when the door is opened according to the requirements of the lock body (Note: the unit of the reversal time is: 0.1s, the default is 0.3s) The time is set to correspond to the numeric keys, for example, press "1" to set the time to 0.1 seconds, press "2" to set the time to 0.2 seconds; in addition to the number "0", select the desired time from "1-9", that is, 0.1 to 0.9 seconds. For example, if you select "1" after setting the time, the voice announces: "0.1 seconds, setting success".

3. set close time

The Lock Waiting Time is the waiting time between unlocking and the oblique tongue inverting out, and the default waiting time is 3 seconds.

Note: The reversal time needs to be properly designed to ensure that it can be closed normally.

4. Autolock

After turning on Automatic Locking, it will be automatically locked after 15 seconds each unlocking

Initialization

- Press and hold the "Settings" button on the back panel for 5 seconds to prompt "Initialize operation." Press pound key to confirm", after pressing #, the system will enter the factory reset state, all unlocking information and records will be cleared, and after success, the initial password will be 123456 (for administrator verification).

Note: The initial password is 123456 and expires after setting the administrator password.

• Function Description

1. Test alarm

Enter the wrong password more than 5 times in a row within five minutes, the keyboard locks for 90s, the system does not respond to any operation within 90s, and the administrator can enter the administrator through the back panel setting key.

231012

2. Password anti-peeping function

PasswordWhen opening the door, enter the password as follows: XXX password XXX; You can add some extraneous codes before and after the password, and then press # to confirm. The password must be included in what you enter.

3. Office mode

Turn on the office mode, after unlocking the door once, the system enters the normally open mode, and any fingerprint can be unlocked; After the anti-lock door lock, it will temporarily exit the normally open mode, and only administrators and ordinary users can unlock the lock. After unlocking the door, enter normally open mode again.

Office mode can only be completely turned off in the system settings.

Note:

1. After unlocking in office mode, the door lock will temporarily sleep, and you need to wait about ten seconds before the next unlock; If you need to unlock it again immediately, you can manually light the screen and unlock the door lock normally after waking up.
2. Press the anti-lock key in office mode before entering user information.

4. Low battery reminder

After the voltage is lower than 6.9V, each time the lock is unlock -ed will automatically alarm, the door lock can be unlocked 200 times after the alarm, more times will be prohibited from unlocking, be sure to replace the new battery before prohibiting unlocking.

5. Human body sensing

After each unlocking, it will be delayed for 10 seconds and then restarted to prevent accidental start when going out. The human body induction automatically triggers 5 times, 5 times are timed out without detecting the face or unlocking, the system will temporarily turn off the induction for 2 hours, and it can be restored after 2 hours or after the next operation, to prevent people from walking more frequently occasionally woken up and cause power consumption.

6. Emergency power supply

When the door lock has no power, you can use the power bank to open the door through the charging port at the bottom of the front panel for emergency power.

7. Wander alarm

After waking up the door lock, enter "081#" to open the loitering alarm; Enter "082#" to turn off the loitering alarm.

If the door lock is successfully configured, after turning on this function, capture will be turned on when someone stays at the door, and a notification will be sent to the mobile phone.

8. Child locks

To unlock the back panel, you must press and hold the "unlock button" while touching the touch panel of the back panel to unlock the lock.

moorgen

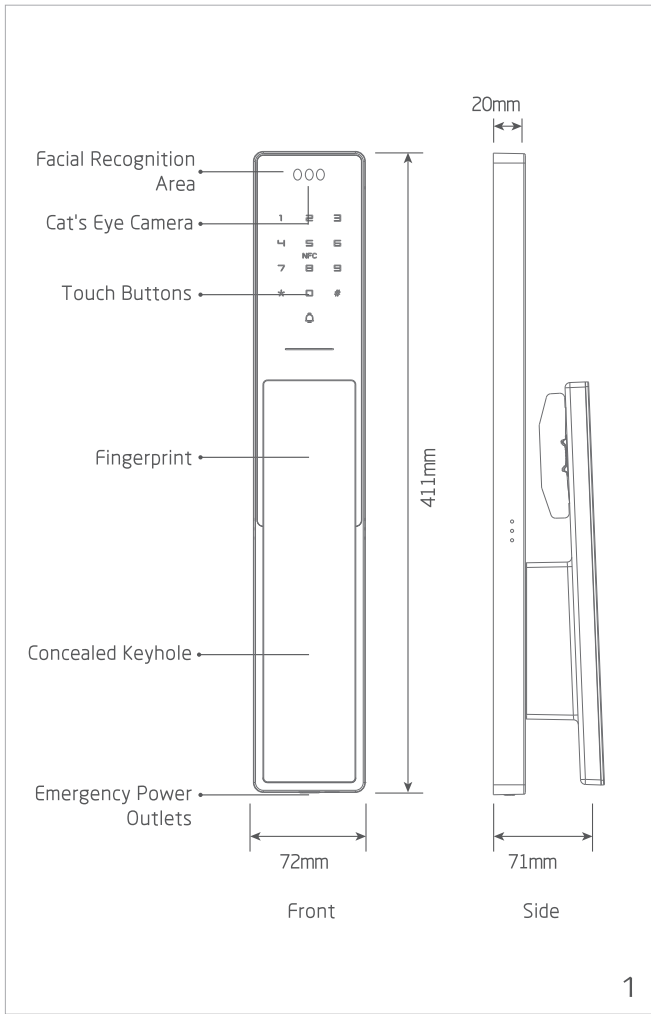
Product Parameters

- Product Name: T5+ smart lock
- Quiescent Current: <220uA
- Wake-up Dynamic Current: <300mA (average)
- Motor Dynamic Current: <2A (average)
- Face Recognition Capacity: ≤ 50 pieces
- Door Opening User Capacity: ≤ 300 users (face + finger + password + card)
- Power Supply: 7.4V (lithium battery 5000mAh)
- Human Body Sensing Distance: 0.5~0.7m
- Card Sensing Distance: 0~40mm
- Face Recognition Angle: vertical angle ≤ 15° (height: 1.4~1.9 meters)
- Working Temperature: -10°C~60°C
- Operating Humidity: 20%~93%

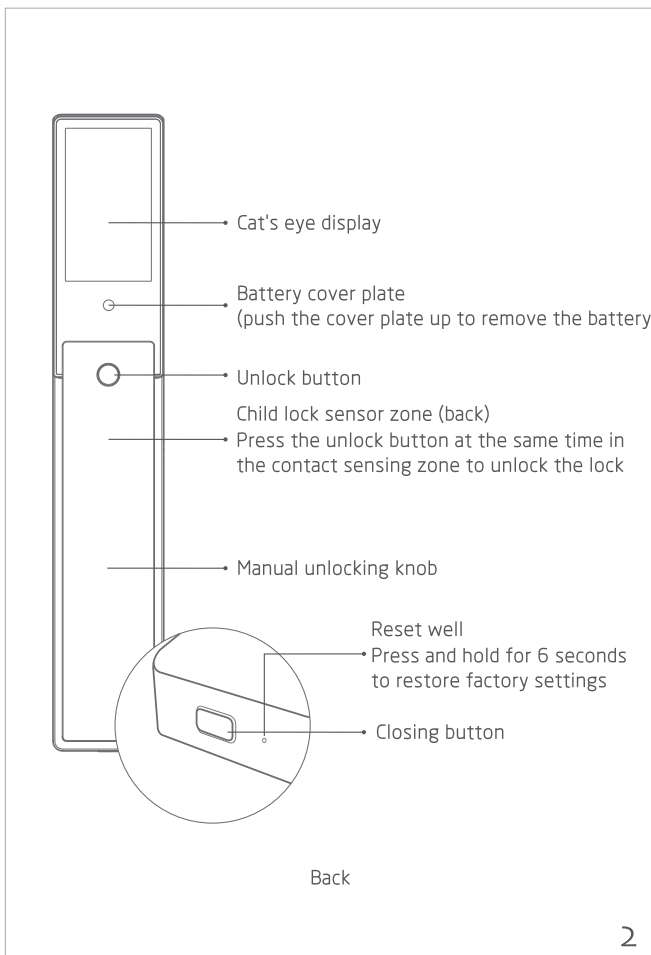


Scan the code to follow
the official website of Morgan directly

Product Diagram



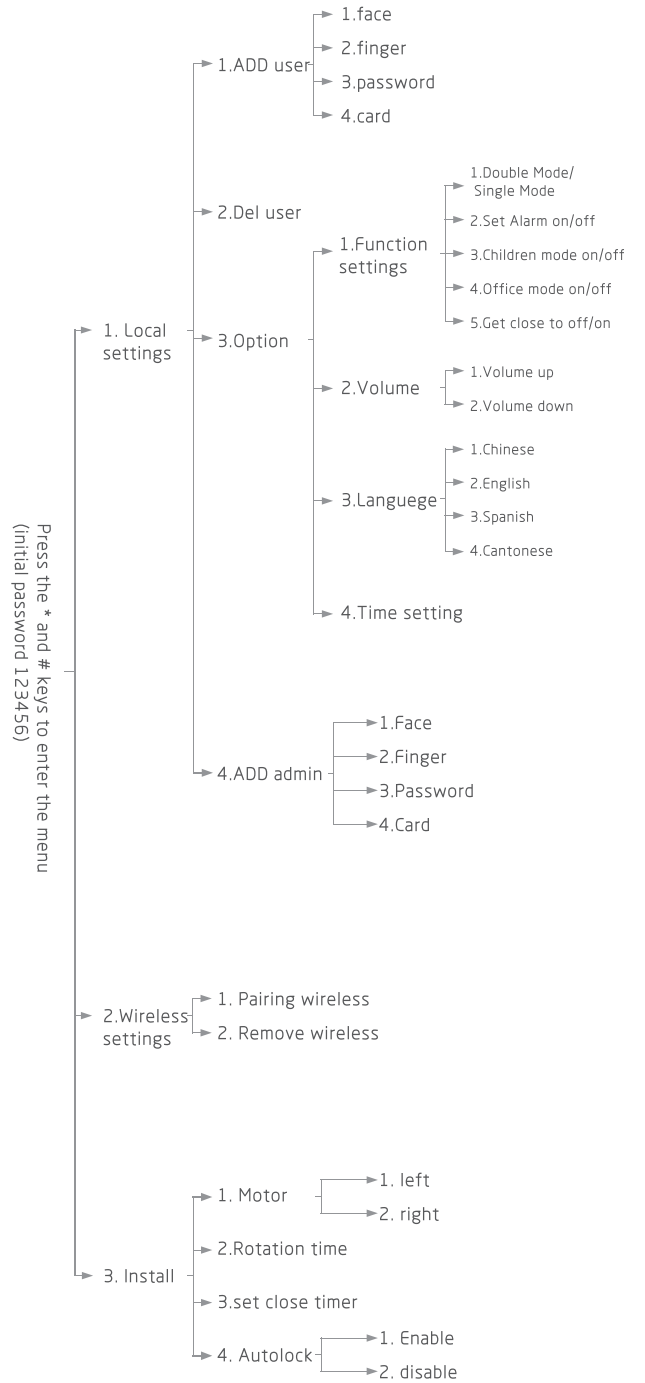
1



Back

2

Lock Operation Usage Process



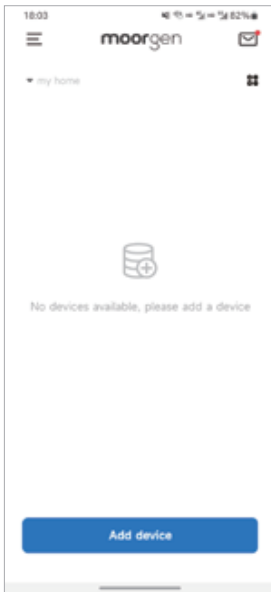
APP installation

- Open the Morgan Life App, if you already have a registered account, log in directly. If you do not have a registered account, go to the Appstore to download and register

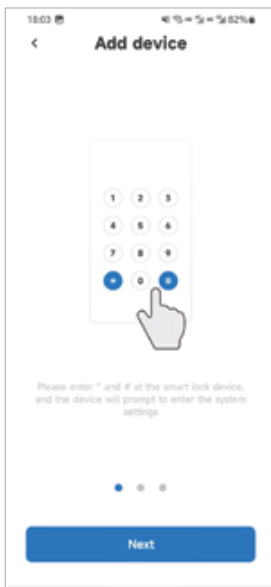


Instructions for Use

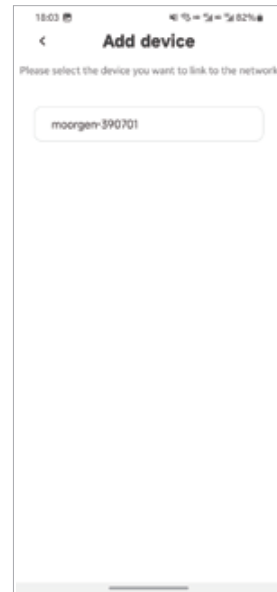
- After registering and logging in, go to the homepage and select "Add Device"



- Enter the "*" and "#" keys after waking up the keypad on the smart door lock according to the App network configuration process guidance page, verify the administrator password (the initial password is 123456), enter "2" to enter the wireless settings, and select "1" to pair the wireless device; Click "Next"



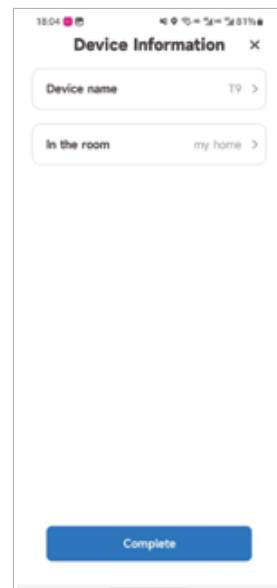
- Select Bluetooth starting with "moorgen-****" and click Connect



- Enter the name and password of the 2.4GWifi that can be connected, and click Next

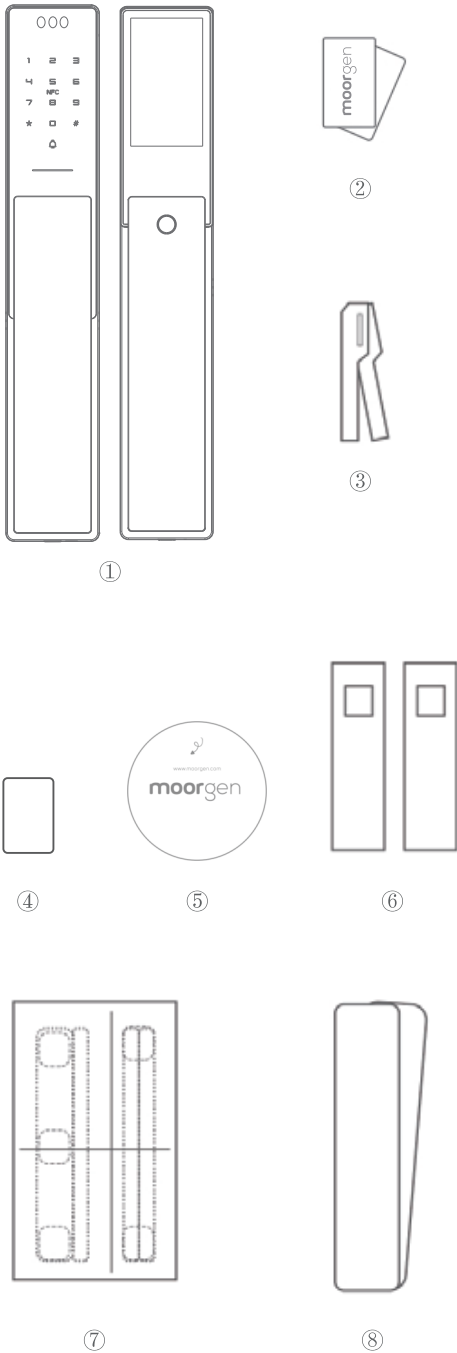


- Enter the device name and device location to complete the connection.



Product list

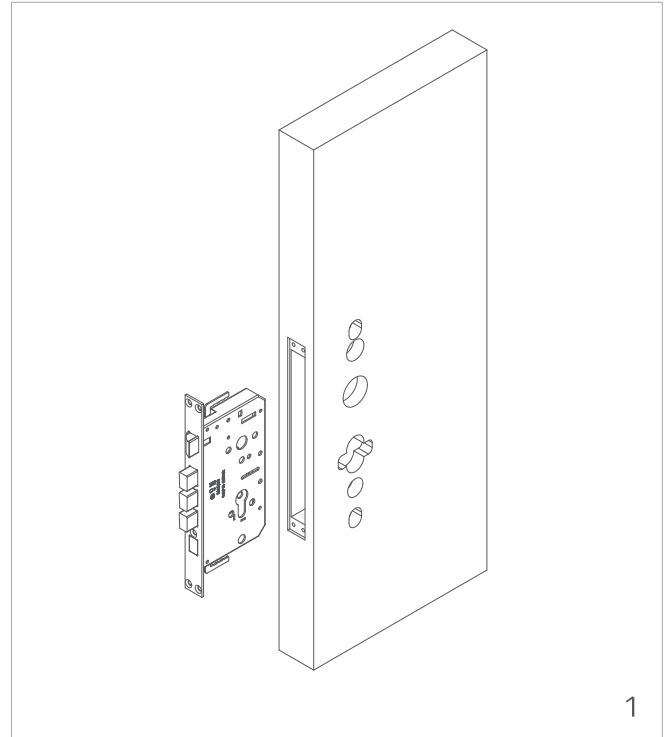
- ① Door lock panel X2
- ② RF proximity card X2
- ③ Mechanical key X2
- ④ Battery X1
- ⑤ Product certificate X1
- ⑥ Accessory package X2
- ⑦ Template of opening holes X1
- ⑧ Silicone pad X2



Installation Steps

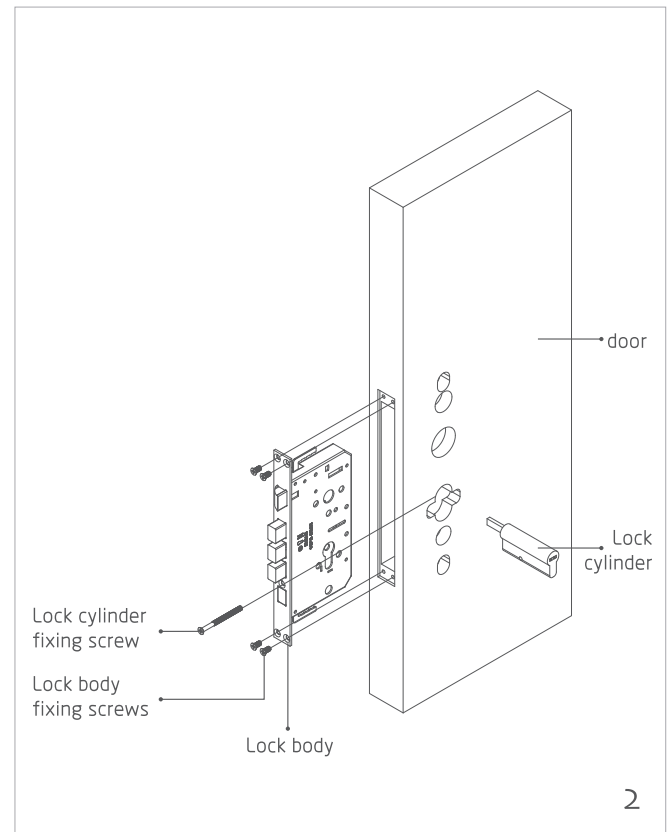
1. Door Opening

According to the opening template, open the door according to the specified position, confirm that the lock body and the door are not stuttered, and the door opening and closing are smooth;



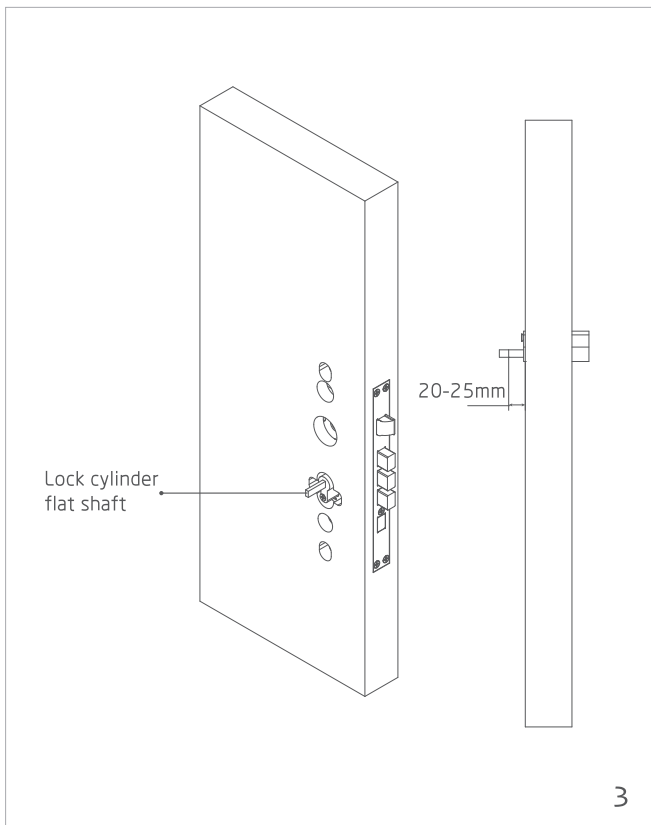
2. Install the lock cylinder of the lock body

- 2.1. Use four M5 screws to fix the lock body in the door;
- 2.2. The lock cylinder is inserted into the lock body from the outside of the door and fixed with M5 screws;



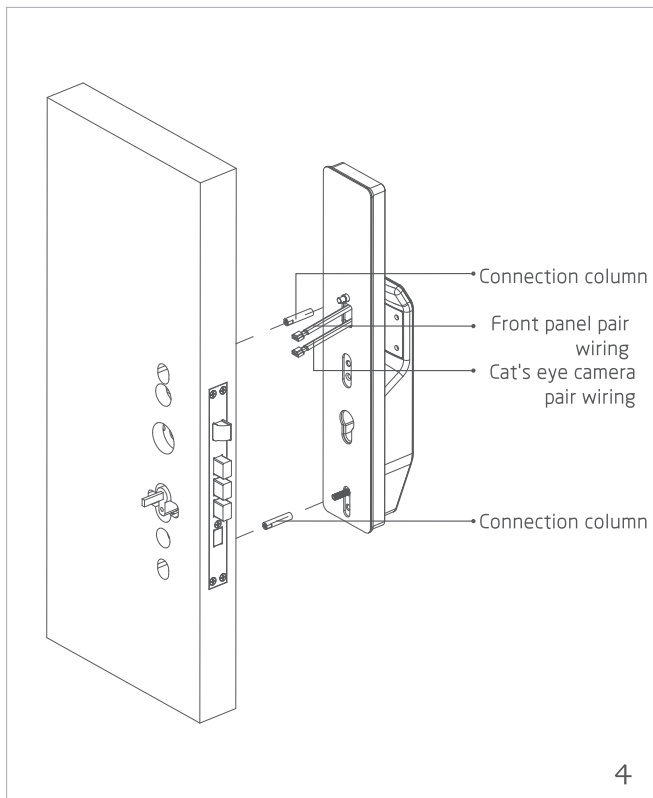
3. Lock cylinder flat shaft cutting

Cut the lock cylinder flat shaft to 20-25mm of the exposed door, and polish the sharp edge smooth after cutting;



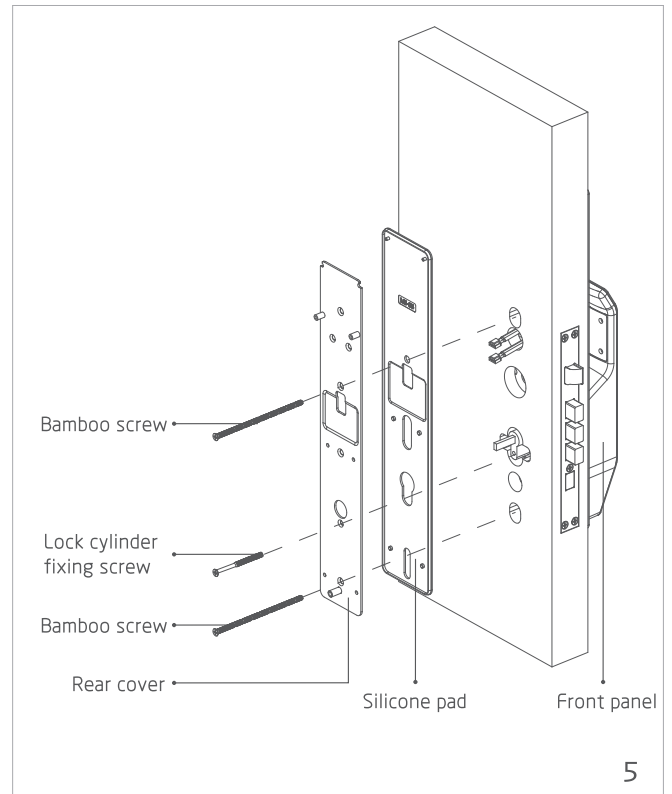
4. Front panel installation

- 4.1. Fix the two connecting posts on the panel;
- 4.2. Insert the front panel into the lock cylinder hole, and the front panel wiring goes out of the door;



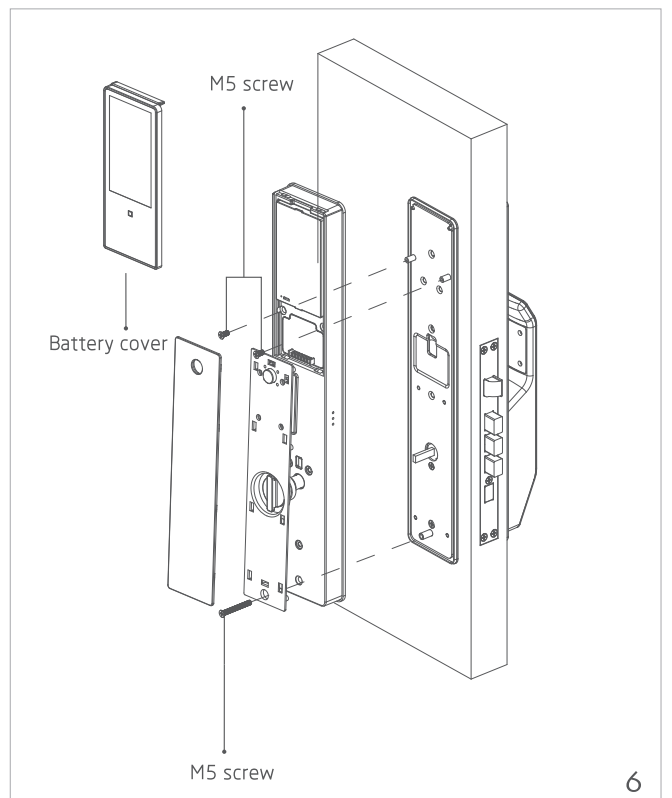
5. Fixing of the front panel

- 5.1. The back cover plate and silicone pad are pressed to the door;
- 5.2. Two bamboo screws to fix the front panel according to the required length of the door thickness; Tighten the lock cylinder fixing screw;



6. Fixing of the back panel

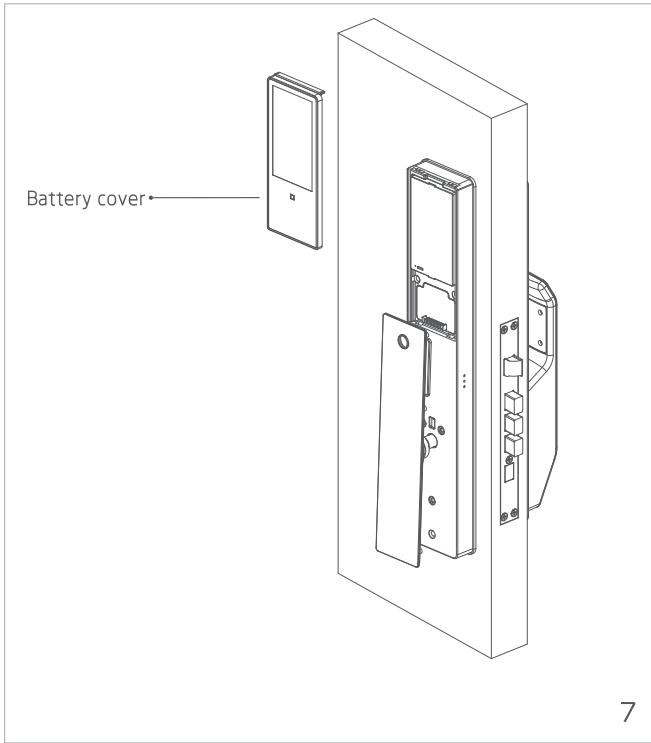
- 6.1. Open the battery cover, make sure that the front and rear wiring and cat's eye wiring are well plugged in, and plug the exposed wire into the door;
- 6.2. Fix the back panel with three M5 screws;



7. Battery installation

7.1. Put the battery into the battery bay and buckle the battery cover;

7.2. The switch lock checks whether the motor rotates smoothly and verifies whether the electronic function is normal;

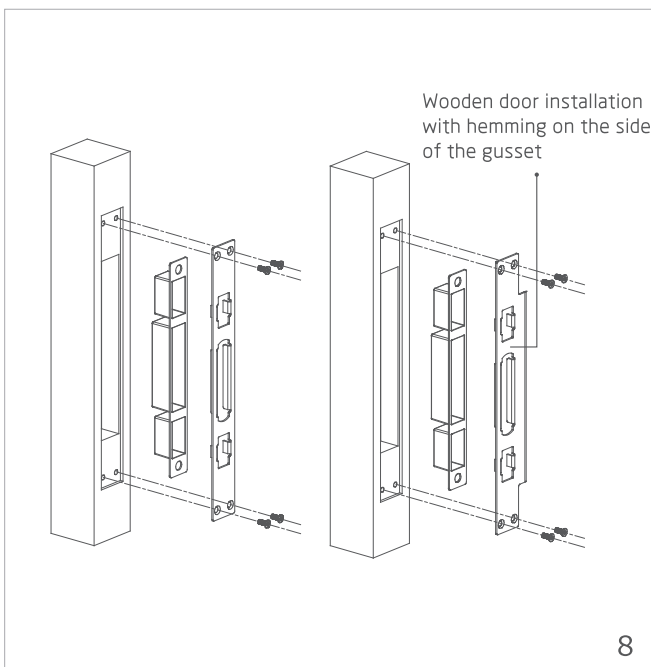


8. Installation of door buckle box/door buckle plate

8.1. Fix the door buckle box and door buckle plate on the door frame in turn;

8.2. Test whether the lock cylinder opens the door normally, and whether the emergency knob behind opens the door normally;

8.3. Complete the installation



The name and content of hazardous substances in the product

In order to meet the relevant laws, regulations and other requirements of China's restriction of hazardous substances in electronic and electrical products, the hazardous substances in the products, classified by components, are declared as follows.

Parts	Toxic and Hazardous Substances or Elements					
	Lead (Pb)	Mercury (Hg)	Cadmium (Cd)	Hexavalent chromium (Cr(VI))	Polybrominated biphenyls (PBBs)	Polybrominated diphenyl ethers (PBDE)
Metal fittings	×	○	○	×	○	○
Plastic fittings	○	○	○	○	○	○
Printed circuit board assembly	×	○	○	○	○	○
Connecting cables	×	○	○	○	○	○
Collector	○	○	○	○	○	○
Touch screen	○	○	○	○	○	○

This form has been prepared in accordance with SJ/T11364

○: indicates that the content of the hazardous substance in all homogeneous materials of the part is below the limit requirements specified in GB/T26572;

×: indicates that the content of the hazardous substance in at least a homogeneous material of the component exceeds the limit requirements specified in GB/T26572;

Note 1: This product applies the concept of environmental protection design, the toxic and hazardous substances are effectively controlled, the toxic and hazardous substances or elements represented by "×" are mainly limited by the level of technological development, and the replacement of toxic and hazardous substances or elements cannot be realized.

Note 2: Some of the above classifications vary depending on the specific product, and the actual product shall prevail.

The "period of use" is shown in the figure. The "eco-friendly use period" of this product is 10 years, and the eco-friendly use period of replaceable parts such as batteries may differ from the eco-friendly use period of the product. The "Eco-Friendly Use Period" is valid only when this product is used under normal environment as described in this instruction manual.



This equipment contains a radio transmitting module with type approval code: CMIITID: 2023DP1644

After-sales service

- The overall warranty time of this product is three years, and the battery warranty is one year.
- This product needs to be purchased or installed, and then fill in the warranty card at the dealer, starting from the date of purchase of the warranty card, if the warranty card information is not filled in, the company only provides paid maintenance for the product.
- If there is any quality problem of this product within two years of purchase (except for improper use of human factors), you can contact the local dealer for free repair with the warranty card that has filled in the purchase date.
- Faults caused by any of the following (including during the warranty period) shall be charged to the user for relevant maintenance fees:
 - ①The door lock and ancillary products are not installed and used by the user in accordance with the requirements of the manual.
 - ②Failure caused by the user's door lock being repaired or disassembled by service personnel not authorized by the Company.
 - ③Failure and damage caused by force majeure (natural mutation) such as fire, earthquake, water damage, etc.
 - ④Breakage or rupture of the door, deformation caused by dampness or dryness of the door, power supply problems, improper storage of the product, bumping, failure to perform the necessary preventive maintenance, and failure or damage caused by the use of ancillary products and parts and assemblies not supplied by the company.
 - ⑤The anti-prying alarm of this lock is only used as a user reminder, and the company is not responsible for any damage caused by the door lock being damaged.
- Product barcodes, model labels that are removed, damaged or altered will not be warranted.

Warranty guidelines

- If your door lock is faulty, please follow the common troubleshooting in the manual, if it still cannot be ruled out, please contact our company or local agent dealer and provide the following information:
 - ①Model of the door lock;
 - ②Date of purchase;
 - ③Your telephone, fax, and detailed address;
 - ④Product failure situation (detailed description will be able to be solved faster);
 - ⑤Your comments or suggestions.
- Please cooperate with the user to answer the detailed inquiry of the maintenance specialist, including the on-site situation, fault performance, whether it is a frequent or occasional failure, whether the operating procedure is wrong, etc., so that the maintenance specialist can understand the fault and analyze the cause.
- If the problem is still not solved, a maintenance specialist can provide on-site service.
- When the maintenance specialist comes to the service, please inquire and confirm whether it is a member of our company.
- Please check the repair effect after the repair is completed. If the fault is not completely troubleshooted, you may refuse to sign the Customer Service Repair Record Form.
- Please cooperate with the maintenance specialist after the door lock is in normal operation to complete the relevant procedures and give valuable advice.